



**ECO
LIGHT**
INDUSTRIAL LED

**LED
INDUSTRIAL
CANOPY
LIGHTS**

LEDCL10-150AC-CW

LED 150W CANOPY LIGHT

This canopy light offers exceptional lm/W performance, reliability and design. The slim-line housing comes with Phillips Luxeon LED and Mean Well driver with prismatic acrylic lens. The standard model is 150W and delivers a huge 15,000 lumens. Designed for flush mounting or retrofitting into existing recessed troffer packs by using a converter gear plate.

APPLICATIONS

- Service stations
- Food processing
- Coolstores
- Under canopies
- Car parks
- Shopping malls
- Airports



TECHNICAL SPECIFICATIONS

Fixture/Part No.	LEDCL10-150AC-CW
Power Consumption	150W*
Fixture Lumens	14,962lm
Colour Temperature	5700K**
Colour Rendering (Ra)	>80
Beam Angle	100°
LED	Phillips Luxeon 3030
IP Rating	IP65
Driver	Meanwell CLG
Input Power	100~277V AC, 50Hz
Luminaire Efficiency	99.10lm/W
Power Factor	0.9
Dimmable	No
Operating Temperature	-20°C to +45°C
Operating Humidity	20% - 90%
Material	Aluminium, White Powder Coat, High Quality PMMA
Dimensions	380x380x89mm
Cable	1m 3 core cable

*Other wattage options available on special order

**Other colour temperatures available on special order

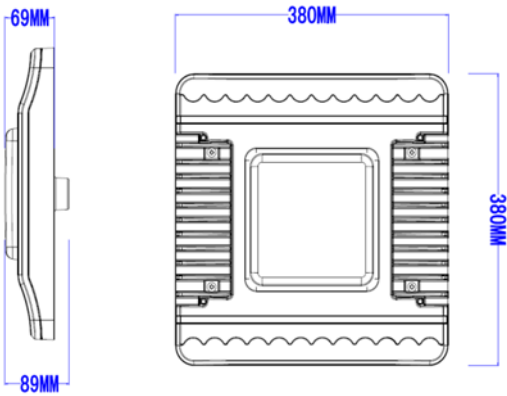


78 Cryers Road
East Tamaki
Auckland.
NEW ZEALAND
phone: 64 9 272 5619



www.ecolight.co.nz

DIMENSIONS



PHOTOMETRICS

